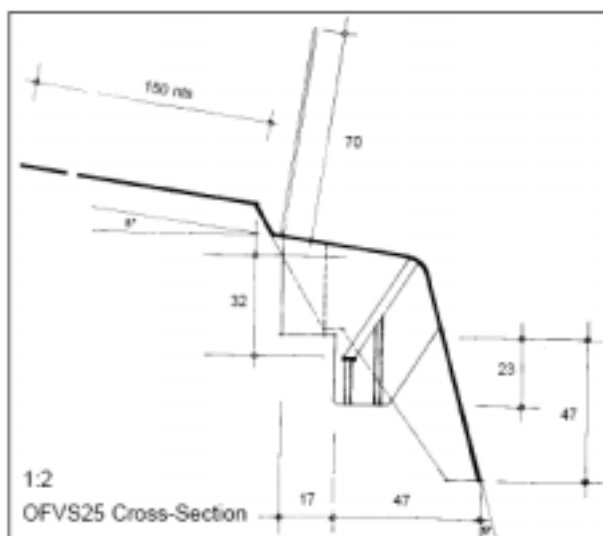
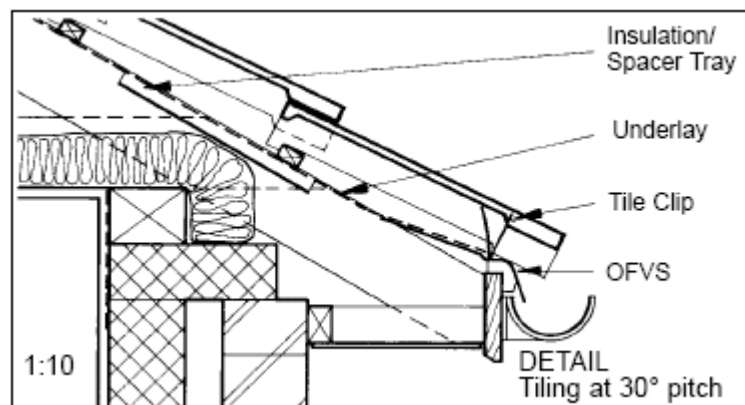
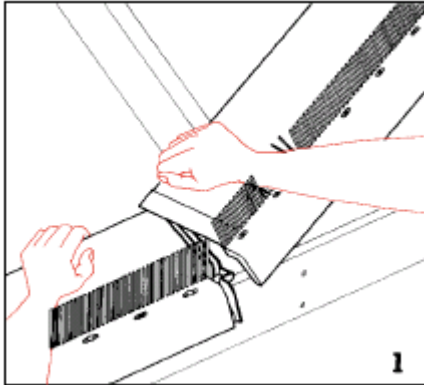


Over Fascia Ventilation Option

Over Fascia Ventilating system provides the following:

- Eaves level ventilation to comply with current Building Regulations and BS5250 1989
- Semi-rigid hinged underlay support flap
- Large insect and vermin inhibitor
- Discharge of water from underlay to gutter
- Under tile bird excluder



L F Replacement Windows & Conservatories
Tel: 01249 655077